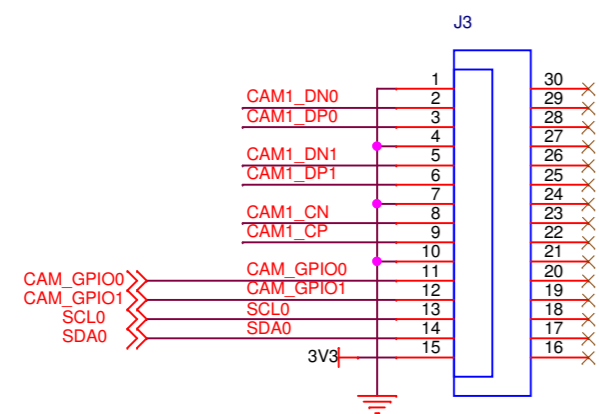
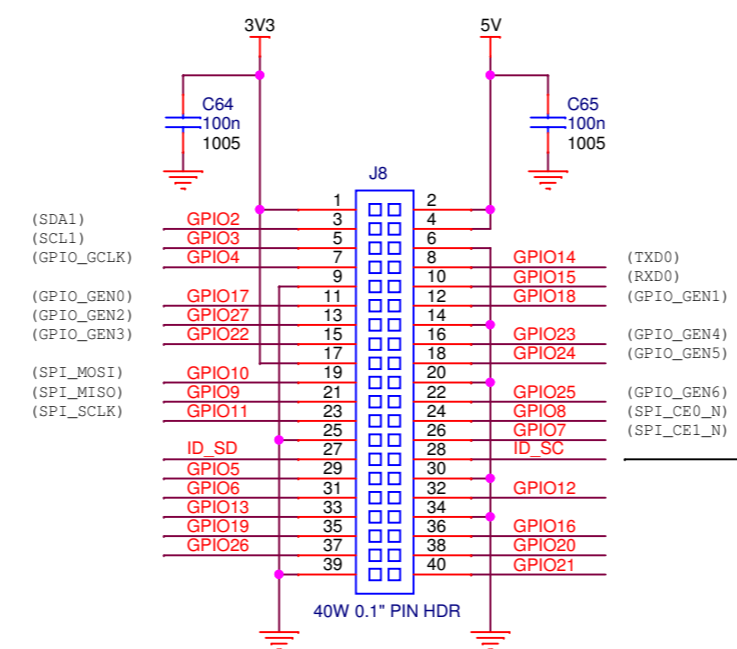
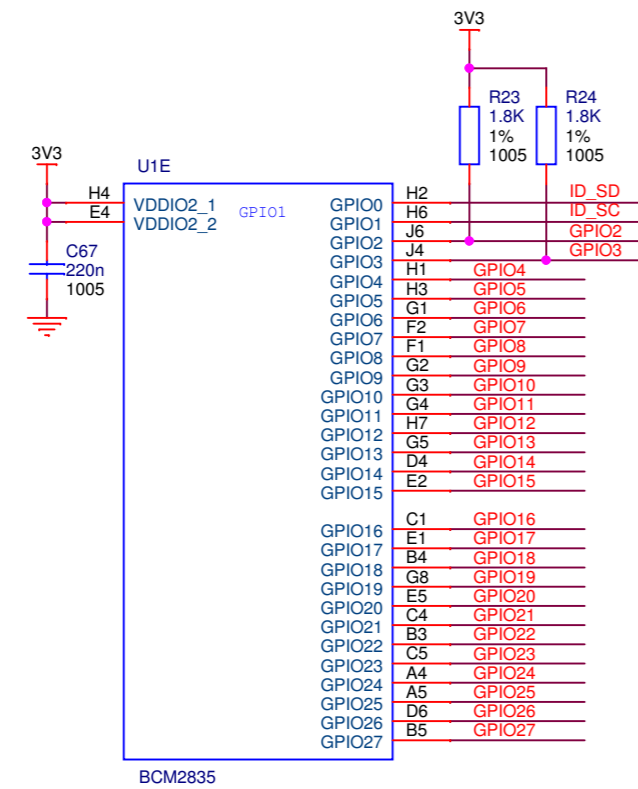
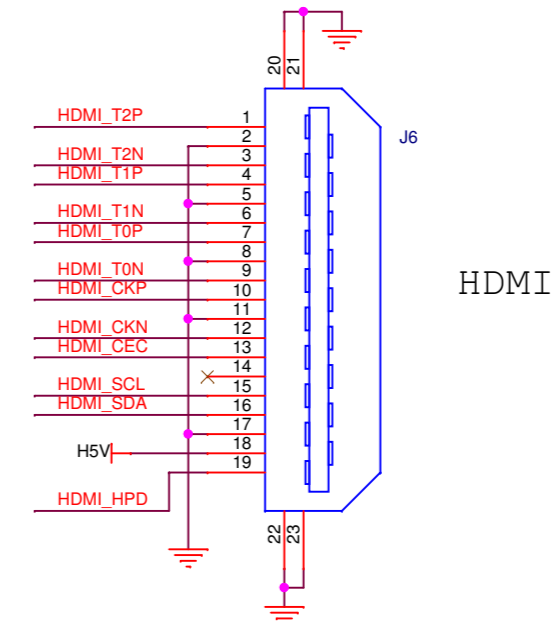
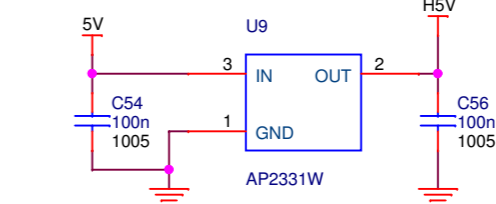
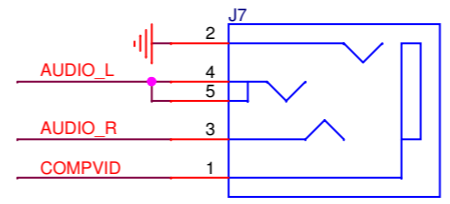
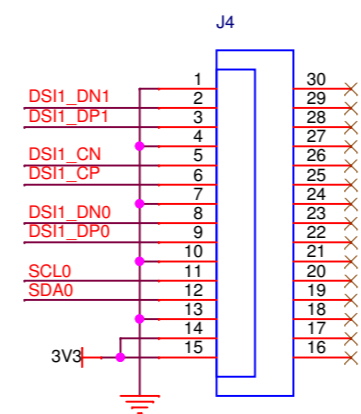


CAMERA



DISPLAY



**ID\_SD and ID\_SC PINS:**  
 These pins are reserved for ID EEPROM.  
 At boot time this I2C interface will be interrogated to look for an EEPROM that identifies the attached board and allows automatic setup of the GPIOs (and optionally, Linux drivers).  
**DO NOT USE** these pins for anything other than attaching an I2C ID EEPROM. Leave unconnected if ID EEPROM not required.

By now from: <http://raspberrypiaustralia.com.au/products/raspberry-pi-model-b-plus>